

Model: ENERGY
EF54V

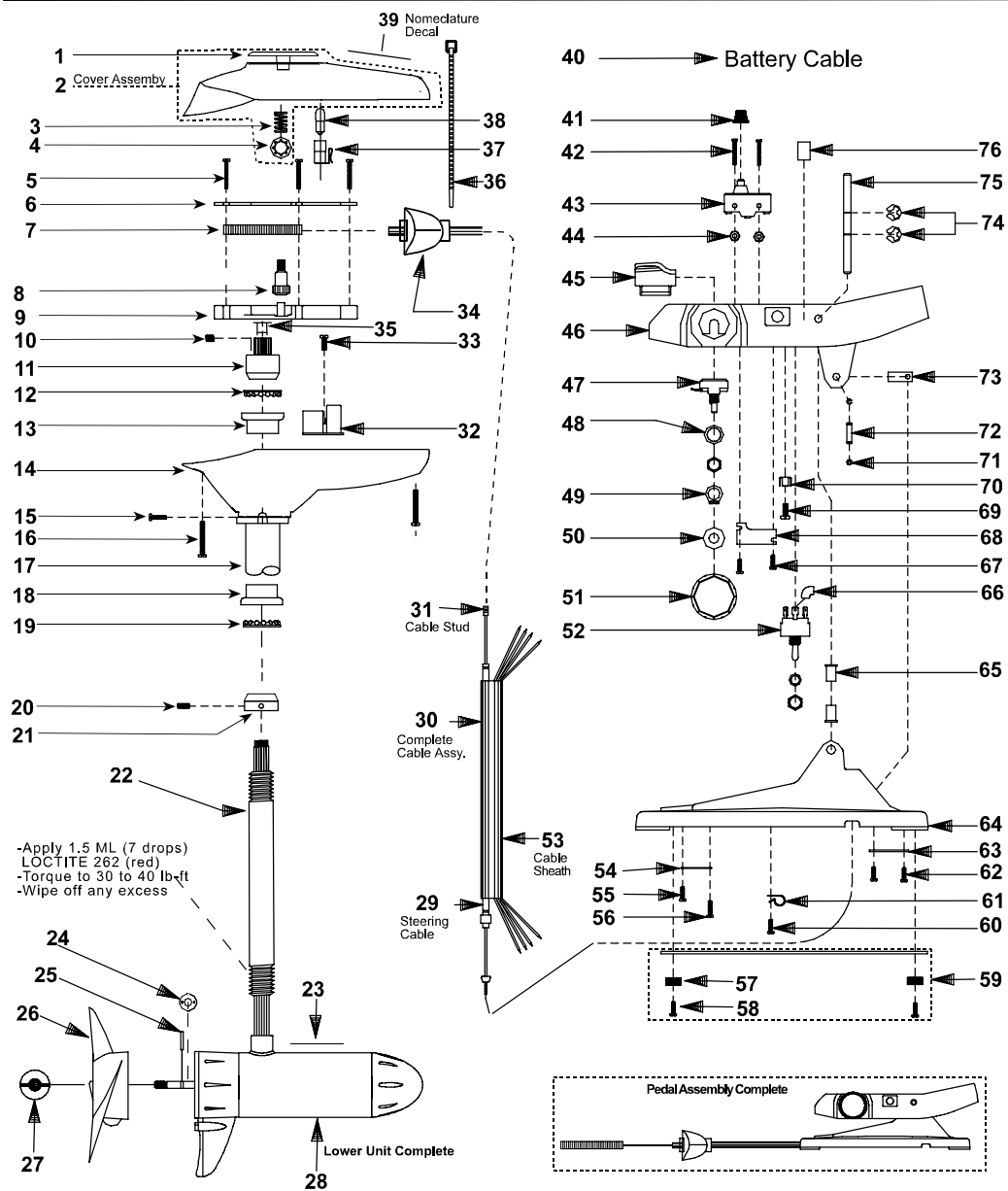
SPECIFICATIONS:

Year of Intro	2000
Thrust	54 LBS
Volts	12VDC
Amp Draw	0 to 48 amps
Mount	15 Bow
Speeds	Variable

PARTS ORDERING & TECH ASSISTANCE

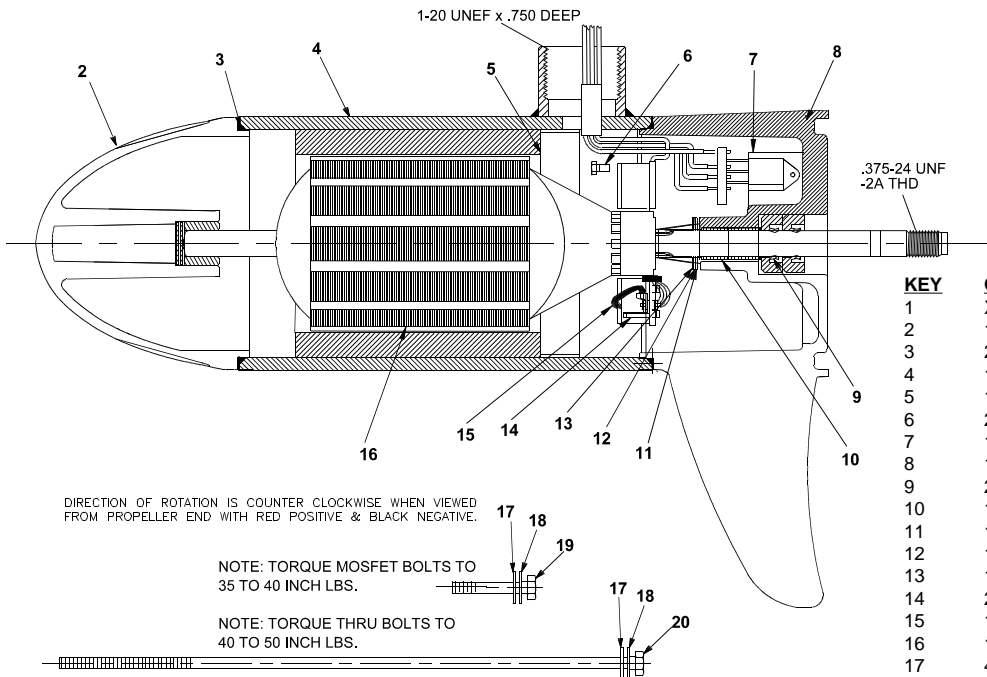
MotorGuide Consumer Relations
 Phone 918-831-6989
 Fax 800-982-8093

Returned Goods must be accompanied with a Returned Goods Authorization. Contact MotorGuide Consumer Relations to obtain RGA.



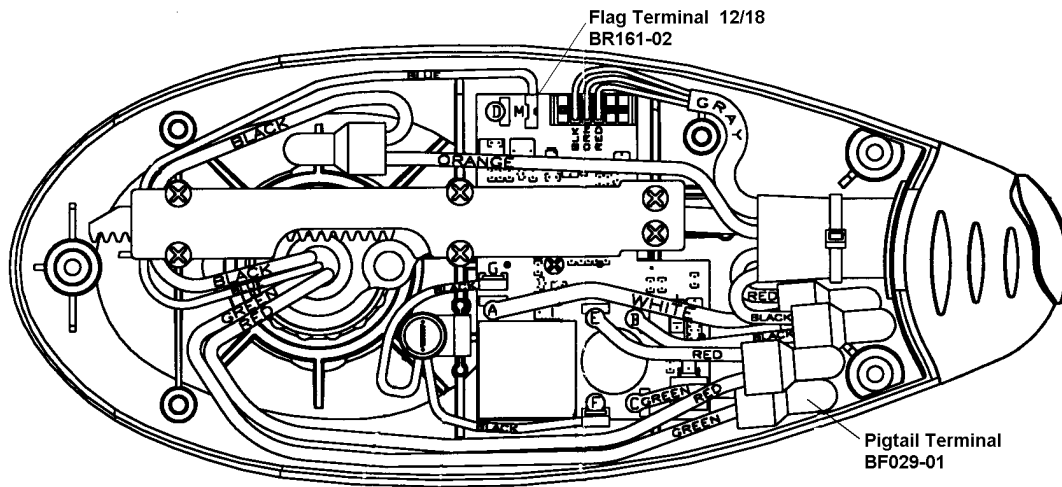
KEY	DESCRIPTION	PART #	KEY	DESCRIPTION	PART #	KEY	DESCRIPTION	PART #
1	RED INDICATOR	AF078-08	28	MOTOR	CF397-18	53	69" ELECTRIC CABLE JACKET	MM9006-03
2	T/H COVER COMPLETE BLACK	EF053-17	29	63" CONTROL CABLE STUD ASY	9377	54	63" ELECTRIC CABLE JACKET	MM9006-02
3	COMPRESSION SPRING	AF014-01	30	69" CONTROL CABLE STUD ASY	9767	55	CABLE PLATE	KP123-01
4	TINNERMAN CLIP	AF046-01	31	63" CONTROL CABLE ASY	AP327-16	56	#6 SELF TAP SCREW	EK135-01
5	#6 RACK GUIDE SCREW	XF133-01	32	69" CONTROL CABLE ASY	AP327-18	57	6 X 1/2 SCREW	AF135-01
6	RACK GUIDE COVER	AF127-01	33	CONTROL CABLE STUD	AP141-01	58	FOOT PEDAL PAD	KP023-01
7	RACK	AP125-01	34	CIRCUIT BOARD	AF157-04	59	6 X 1/2 SCREW	AF135-01
8	INDICATOR GEAR	AF069-01	35	#4 X 5/16 SS	XT141-01	60	WEIGHT PLATE ASY	LP3123-01
9	RACK GUIDE	AF126-01	36	GROMMET	AF021-01	61	6 X 1/2 SCREW	AF135-01
10	1/4 NUT SET SCREW	AF142-01	37	PINION NUT BUSHING	AF030-01	62	CABLE CLAMP	KP036-01
11	PM PINION NUT	AF398-01	38	CABLE TIE	AF030-01	63	SCREW	IR133-01
12	BEARING	FM005-01	39	LAMP HOLDER	AF394-01	64	BATTERY CLAMP	KP036-02
13	BEARING CUP	AF007-01	40	LAMP	AF093-01	65	FOOT PEDAL BASE	LP003-01
14	T/H BASE BLACK	EF004-15	41	NOMENCLATURE	CF056-16	66	SHAFT BUSHING	KP021-01
15	RIVET	LF111-03	42	BATTERY CABLE ASY	XP327-03	67	INSULATING SLEEVE	AT080-01
16	#8 X 5/8 SCREW	AT141-01	43	MICRO SWITCH BOOT	KP157-01	68	6 X 1/2 SCREW	AF135-01
17	42/50" OUTER TUBE	AF165-06	44	#6 32 X 1 1/2 SCREW	LP135-01	69	RETAINER PLATE	LP123-03
18	BEARING CUP	FM007-01	45	MICRO SWITCH	AP151-01	70	#10X1/2 SCREW	RT133-03
19	BEARING	FM005-01	46	6 - 32 NUT S.S	SP098-02	71	ON SERT PAL NUT	TT098-03
20	CONE SET SCREW	AF143-01	47	MICRO BUTTON	LP026-01	72	E RING	FP046-01
21	BEARING CONE	XF006-01	48	FOOT PEDAL	LP101-03	73	CABLE PIVOT PIN	AP105-01
22	42" .105 SS F/O COLUMN	AF049-09	49	POTENTIOMETER	AP168-02	74	CABLE PIVOT	LP091-01
23	LOWER UNIT DECAL	ET060-07	50	LOCK WASHER 3/8	KP171-01	75	.312 E RING	BK046-02
24	MONOFILAMENT WASHER	AR175-01	51	GRIP RING	LP046-01	76	FOOT PEDAL ROCKER PIN	LP102-01
25	PROP DRIVE PIN	BR102-01	52	NYLON WASHER	AK171-02		DECAL	LP057-09
26	PROP	AF124-12		SPEED KNOB	LP082-08			
27	PROP NUT	AR099-01		TOGGLE SWITCH 3 POSITIONS	PM3153-04			

Model:
EF54V



KEY	QTY	DESCRIPTION	PART NO.
1	X	MOTOR	CF397-18
2	1	NOSE CAP	XF3212-01
3	2	O RING SEAL	MR217-01
4	1	HOUSING ASY	JF3210-01
5	1	RETAINER	JF233-01
6	2	BRUSH CARD SCREW	MR228-01
7	1	DURA AMP MODULE	JF096-10
8	1	COMM CAP	TF3205-02
9	2	SHAFT SEAL	MR223-01
10	1	BEARING	MR206-01
11	1	NYLATRON WASHER	MR226-01
12	1	WASHER	MR227-01
13	1	E RING	MR219-02
14	2	BRUSH SPRINGS	MR214-02
15	1	BRUSH ASY LESS SPRING	XF3201-02
16	1	ARMATURE	CF3207-02
17	4	STATIC SEAL	MR222-01
18	4	THRU BOLT WASHER	MR216-01
19	2	DURA AMP SCREW	MR229-04
20	2	THRU BOLT	MR218-02

WIRING



SUBJECT TO DAMAGE BY STATIC ELECTRICITY
ASSEMBLE AT STATIC FREE WORK STATION!

